

USER AND INSTALLATION MANUAL

MAG:CFX®

ENGLISH

/CO2GUN II



CE CO2 FX

PART01169
rev 01-00

DISCLAIMER

⚠ WARNING

Read this manual carefully before installing and/or using this product. Failure to read the manual and to follow the printed instructions may lead to personal injury and/or damage to the product.

© 2017 MAGICFX®
All rights reserved.

Nothing from this publication may be copied, reproduced and/or published by means of printing, photocopying or by any other means, without the prior written approval of MAGIC FX.

MAGIC FX reserves the right to modify specifications stated in this manual.

TRADEMARKS

Any brand names mentioned in this manual are registered trademarks of their respective owners.

LIABILITY

MAGIC FX accepts no liability for claims from third parties arising from unauthorised use, use other than that stated in this manual, and use other than in accordance with the General Conditions registered at the Chamber of Commerce.

Refer further to the General Conditions. These are available on request, free of charge.

Although considerable care has been taken to ensure a correct and suitably comprehensive description of all relevant components, the manual may nonetheless contain errors and inaccuracies.

Should you detect any errors or inaccuracies in the manual, we would be grateful if you would inform us. This helps us to further improve our documentation.

TABLE OF CONTENTS

| | |
|---------------------------------------|-----------|
| Disclaimer | 2 |
| Trademarks | 2 |
| Liability | 2 |
| Foreword | 4 |
| Language | 4 |
| Revision table | 4 |
| 1 Meet the MAGICFX® CO2GUN II! | 5 |
| 1.1 Main parts | 5 |
| 1.2 Technical data | 6 |
| 1.3 Product identification | 6 |
| 1.4 Accessories | 6 |
| 2 Shoot safely! | 7 |
| 2.1 General safety rules | 7 |
| 2.2 CO₂ | 7 |
| 2.3 Indoor use | 7 |
| 2.4 Noise level | 8 |
| 2.5 Safety symbols | 8 |
| 2.6 Precautions for operation | 8 |
| 3 Let's shoot! | 9 |
| 3.1 Connect CO₂ | 9 |
| 3.2 Shoot | 11 |
| 3.3 Clean up | 12 |
| 4 Maintenance | 15 |
| 5 Troubleshooting | 15 |
| 6 Correct disposal | 15 |
| 7 EC Declaration of Conformity | 16 |

FOREWORD

Congratulations! You have bought a great new product from MAGIC FX.

This manual contains all information required for the intended use of the equipment. Deviation from the described intended use can result in a hazardous situation and/or property damage.

This manual includes notes and warnings on safe operation of the equipment. These notes and warnings are accompanied by the following icons. Read them attentively!

| | |
|------------------|---|
| ⚠ DANGER | Indicates a hazardous situation that, if not avoided, will result in death or serious injury. This signal word is to be limited to the most extreme situations. |
| ⚠ WARNING | Indicates a hazardous situation that, if not avoided, could result in death or serious injury. |
| ⚠ CAUTION | Indicates a hazardous situation that, if not avoided, could result in minor or moderate injury. |
| NOTICE | Indicates information considered important, but not hazard-related (e.g. messages relating to property damage). |

LANGUAGE

This document contains the original instructions in English. In case you require other languages please contact MAGIX FX.

REVISION TABLE

| Document nr | Revision | Date | Description | Authored by | Checked by |
|-------------|----------|------------|-----------------|-------------|------------|
| PART01669 | 01-00 | 29-08-2017 | Initial release | TFR | TVA |

1 MEET THE MAGICFX® CO2GUN II!

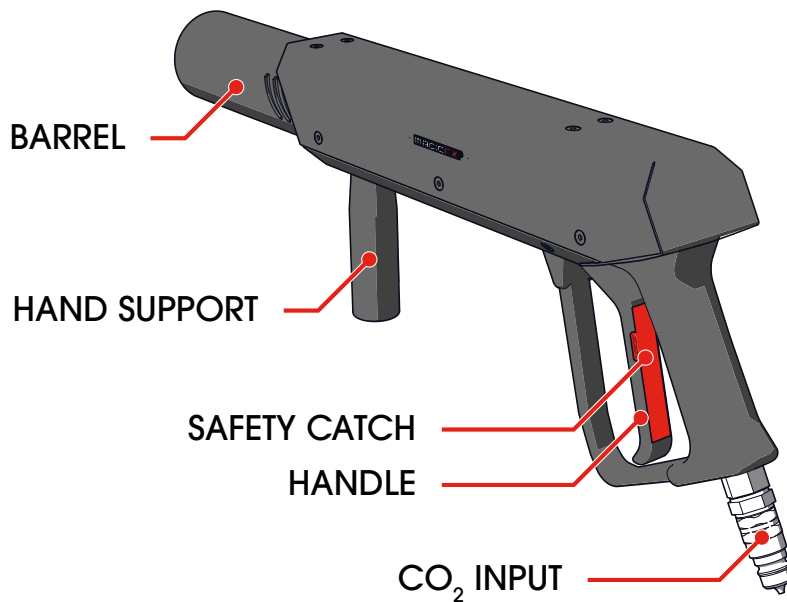
The MAGICFX® CO2GUN II is a handheld gun-shaped device for safe shooting of CO₂ into the air.

Before operation the MAGICFX® CO2GUN II needs to be connected to a CO₂ cylinder. When the user squeezes the handle, the pressurized nitrogen is released from the barrel. The shot is accompanied by a strong hissing sound and a white plume of smoke will be visible from the barrel.

NOTICE

Visibility of the effect can vary due to air humidity. The output will be more visible when there is high absolute air humidity.

1.1 MAIN PARTS



Main parts

1.2 TECHNICAL DATA

| | | | |
|------------------------|-----------------------------|-----------------------------|------|
| Product | Product Name | MAGICFX® CO2GUN II | |
| | Product Code | MFX1119 | |
| | Product Type | CO2 FX | |
| Main Dimensions | Length (mm/in.) | 572 | 22,5 |
| | Width (mm/in.) | 233,5 | 9,2 |
| | Height (mm/in.) | 75,7 | 3 |
| Weight | Empty weight (kg/lb.) | 2,7 | 6 |
| | | | |
| Environment | Minimum Temperature (°C/°F) | 5 | 41 |
| | Maximum Temperature (°C/°F) | 50 | 122 |
| | Humidity (Relative) | 20% to 90% (non condensing) | |
| | IEC 60529 (IP) Rating | IP12 | |
| Controlling | Control Options | Manual | |

Technical data

1.3 PRODUCT IDENTIFICATION



Type plate

1.4 ACCESSORIES

| Code | Product |
|---------|---|
| MFX1114 | CO ₂ High Pressure Hose 3/8 Male - Female, 1.25M |
| MFX1105 | CO ₂ High Pressure Hose 3/8 Male - Female, 2M |
| MFX1106 | CO ₂ High Pressure Hose 3/8 Male - Female, 3M |
| MFX1107 | CO ₂ High Pressure Hose 3/8 Male - Female, 6M |
| MFX1108 | CO ₂ High Pressure Hose 3/8 Male - Female, 10M |
| MFX1109 | CO ₂ High Pressure Hose 3/8 Male - Female, 15M |
| MFX1110 | CO ₂ 90 Degrees Connector 3/8 |
| MFX1103 | CO ₂ Bottle to Hose Connector |
| MFX1115 | CO ₂ Bottle to Hose Connector 90 Degrees |

Accessories

2 SHOOT SAFELY!

The MAGICFX® CO2GUN II has been designed and constructed in such a manner that it can be used safely. This applies to the use, the circumstances and the regulations as described in this documentation. Reading this documentation and following the instructions are therefore necessary for everyone who is authorised to work with the MAGICFX® CO2GUN II.

The MAGICFX® CO2GUN II must be used in surroundings that preferably:

- Have a reasonably stable temperature of between 5 and 50°C.
- Have a relative humidity degree of no more than 90% (non condensing).
- Are reasonably free of dust, corrosive gases and high concentrations of organic vapours.
- Are not situated in the vicinity of a source of vibration.

2.1 GENERAL SAFETY RULES

- Only authorised persons may carry out work with the MAGICFX® CO2GUN II.
- Do not use the MAGICFX® CO2GUN II if there are people or animals in the direct output.
- Make sure that children, unauthorised people and animals do not obtain access to the MAGICFX® CO2GUN II.
- Make sure there are no freestanding objects or objects that can be damaged by the MAGICFX® CO2GUN II within the output distance.
- Do not remove any safeguards, safety caps and safety symbols.
- All required safety devices must be in good condition and function properly.
- Ensure sufficient lighting of the surroundings.
- Keep the workplace clean.

2.2 CO₂

The MAGICFX® CO2GUN II uses liquid CO₂ as input. The application of CO₂ involves serious risks. Make sure that you are well informed on these risks before installation and/or operation. Always use approved CO₂ cylinders, hoses and connections. Always consult your CO₂ supplier for regulations and instructions on safe installation and use.

MAGIC FX is not liable for unsafe situations, accidents and damage that are the result of incorrect working with CO₂ gas and CO₂ cylinders.

⚠ WARNING

Inadequate installation and/or operation of a CO₂ powered machine and CO₂ cylinders can lead to death or serious injury. Always follow the instructions from this manual, from your CO₂ supplier and from local authorities.

2.3 INDOOR USE

The MAGICFX® CO2GUN II is designed for outdoor use and use in well-ventilated indoor spaces. When used indoors, make sure you take the necessary preparations. These preparations could include, but are not limited to:

- Consulting your CO₂ supplier.
- Calculating the reduction of oxygen for the indoor space.
- Checking the location for spots where CO₂ could accumulate and taking preventive actions.
- Installing CO₂ monitoring devices that will warn for hazardous CO₂ levels.

⚠ DANGER

Do not use the MAGICFX® CO2GUN II in poor ventilated confined spaces. Exposure to high levels of CO₂ gas can cause symptoms like headache, nausea, loss of consciousness or even death.

2.4 NOISE LEVEL

The environmental noise level measured at 20 cm (7,87 in) from the product is 110 dB(A). This level of noise is only reached during the short shooting instances. Therefore hearing protection is not necessary.

⚠ WARNING

Do not operate the MAGICFX® CO2GUN II close to yourself or to others for a long period of time. If you experience any hearing loss or ringing in the ears, you should immediately stop using the unit.

2.5 SAFETY SYMBOLS

The following safety symbols are present on the MAGICFX® CO2GUN II.

| Symbol | Meaning |
|--------|---------|
|--------|---------|



Read the manual carefully before use!

Safety symbols

2.6 PRECAUTIONS FOR OPERATION

⚠ WARNING

Using a damaged gun can lead to serious injury and property damage. Always inspect the gun thoroughly before operation.

⚠ WARNING

Always hold the gun firmly with two hands while in a stable standing position. When fired a reactive force is produced, causing a backlash vibration. This can lead to injuries when the gun is released from the hands unintentionally or when the backlash causes the user to lose balance.

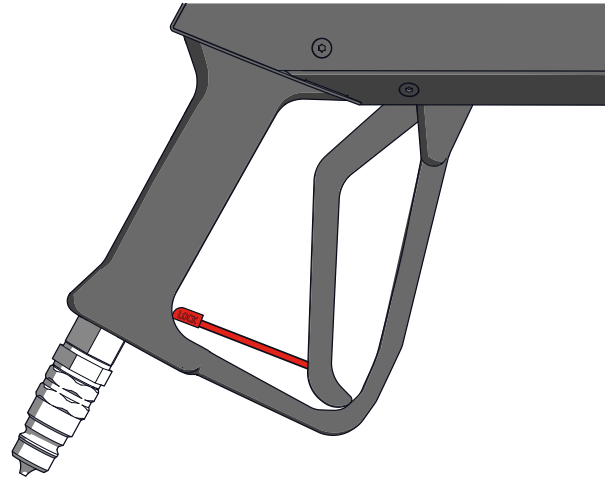
⚠ WARNING

Missing or obscured safety symbols on the machine can lead to death or serious injury. Make sure all safety symbols are correctly in place, see section 2.5.

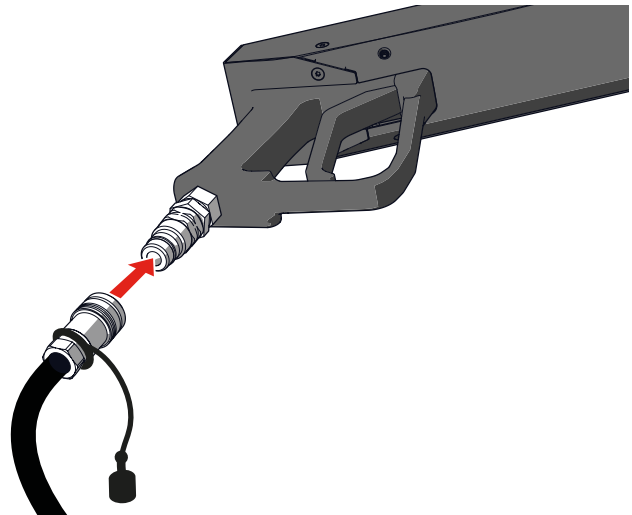
3 LET'S SHOOT!

3.1 CONNECT CO₂

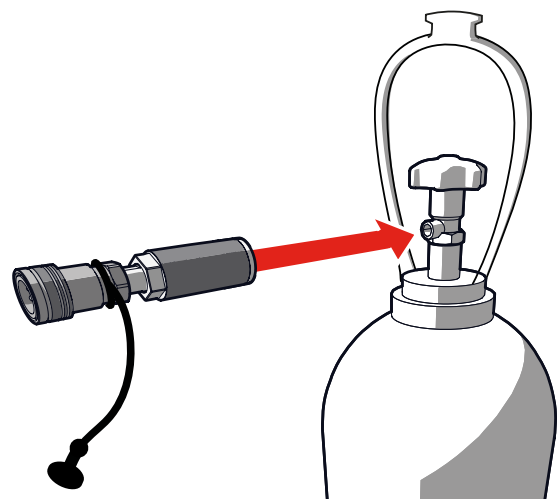
- 1 Make sure that the safety catch is in locking position.



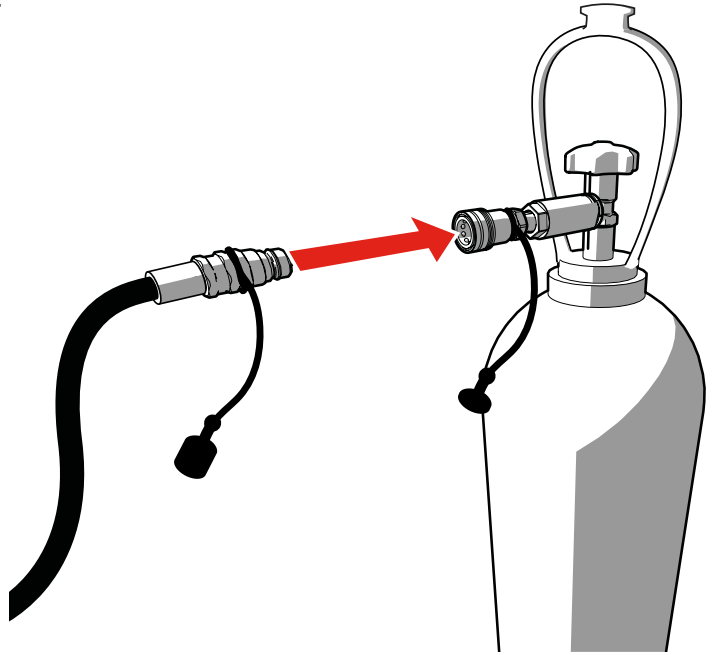
- 2 Connect the CO₂ hose to the CO₂ quick connector.



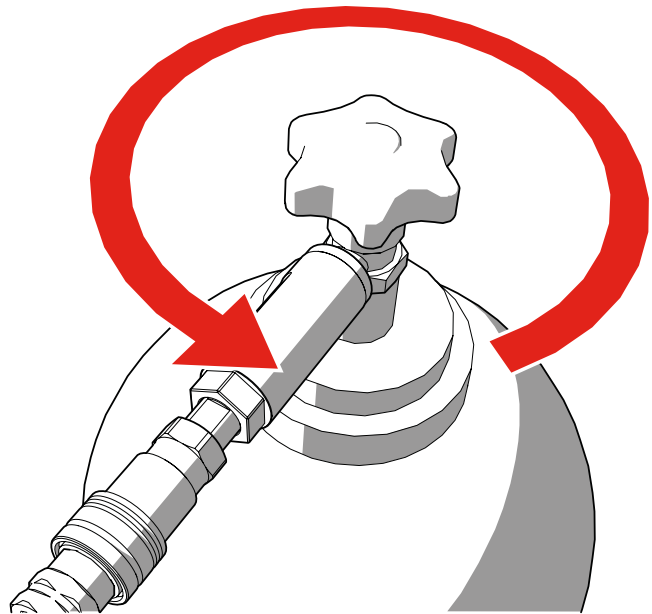
- 3 Connect a CO₂ bottle-to-hose connector to a CO₂ cylinder.



-
- 4** Connect the CO₂ hose to the CO₂ bottle-to-hose connector on the CO₂ cylinder.



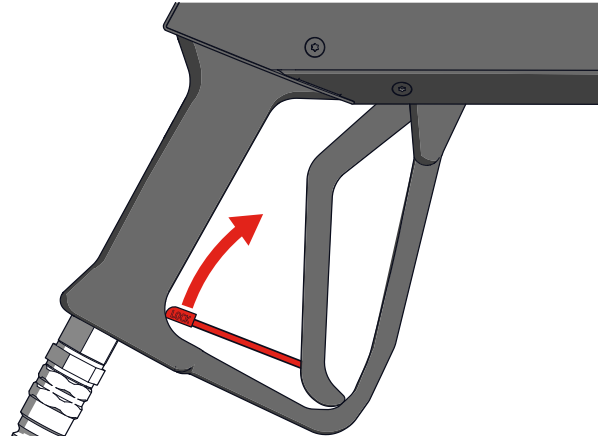
-
- 5** Open the CO₂ cylinder.



3.2 SHOOT

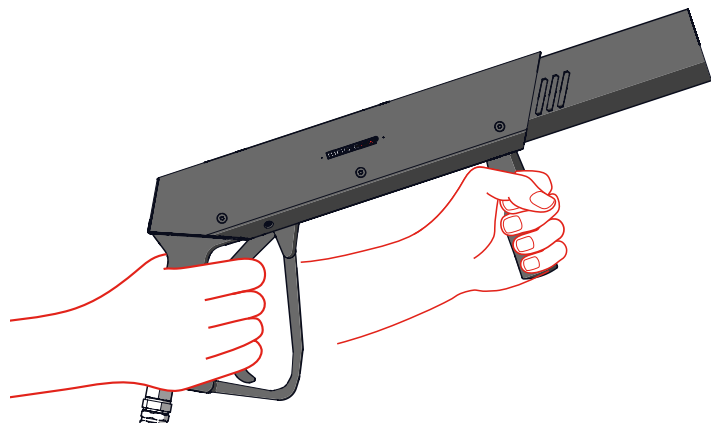
1 Carefully walk to the desired shooting position.

2 Unlock the safety catch.

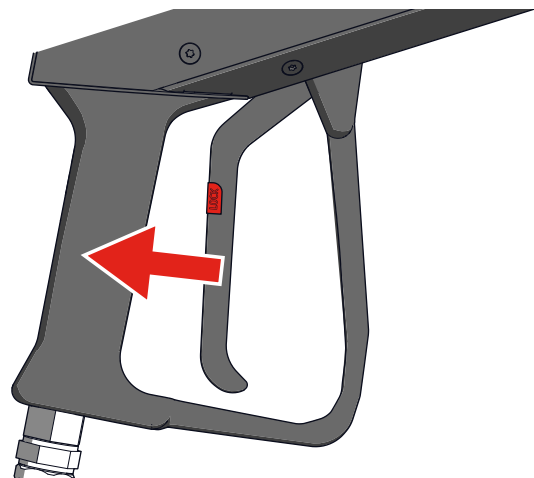


3 Firmly hold with two hands and aim above the audience.

Make sure there are no persons or animals in the direct output of the MAGICFX® CO2GUN II.



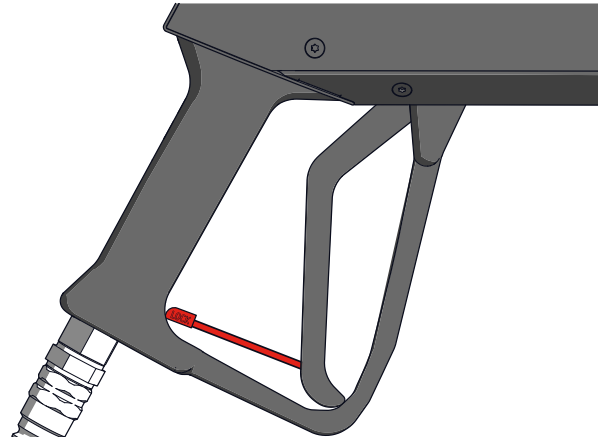
4 When it's time to shoot, squeeze the handle.



5 Enjoy the view.

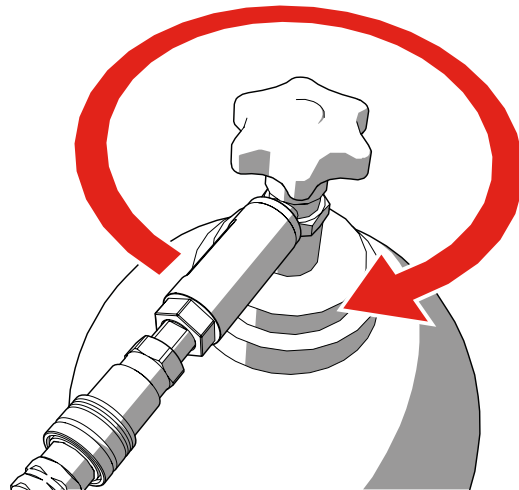
6 Release the handle to stop shooting..

7 Place the safety catch back in locking position.

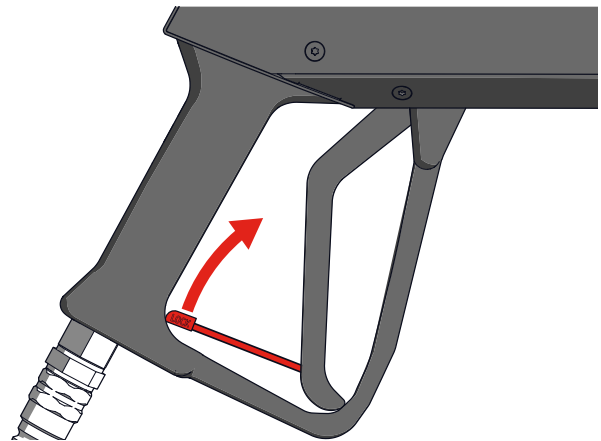


3.3 CLEAN UP

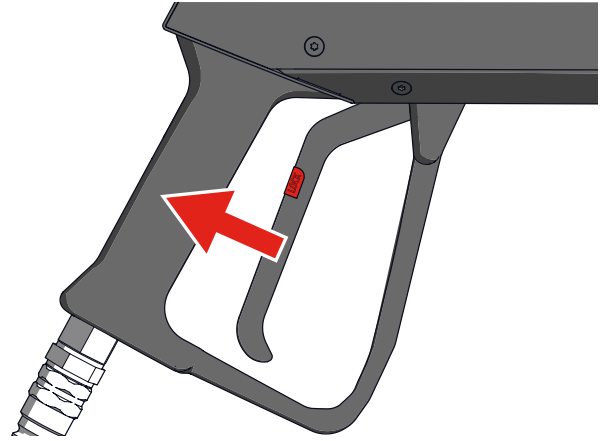
1 Close the CO₂ cylinder.



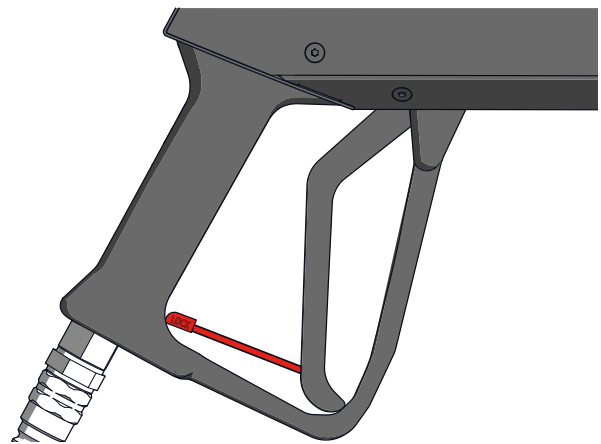
2 Unlock the safety catch.



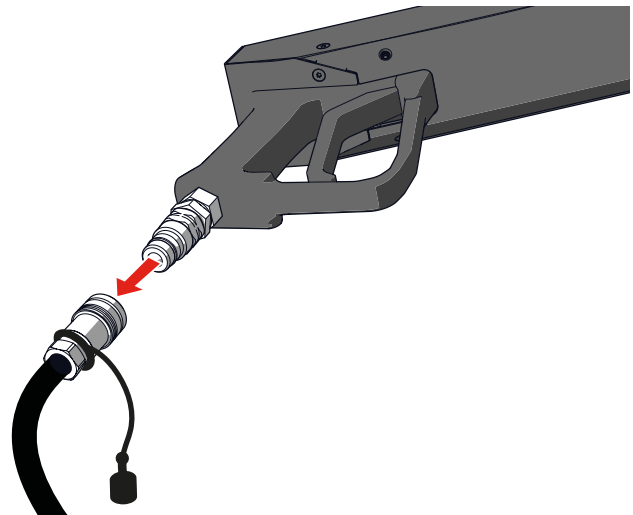
-
- 3** Squeeze the handle to release the remaining pressure.



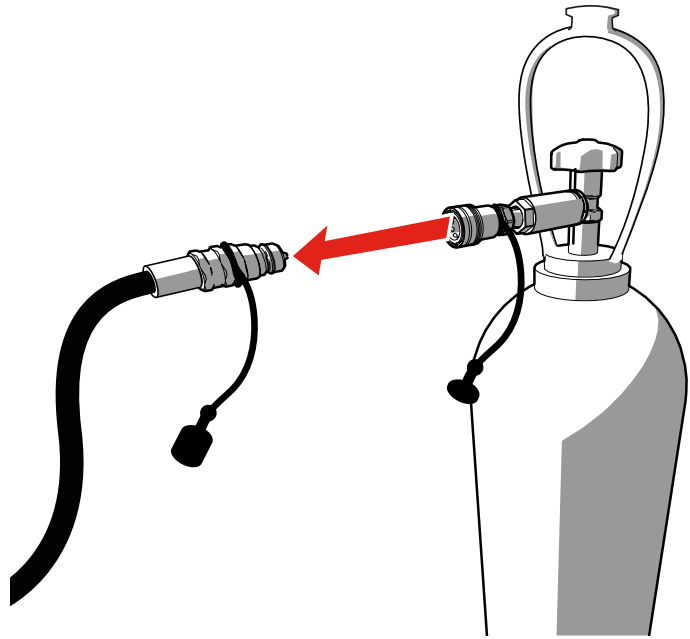
-
- 4** Place the safety catch back in locking position.



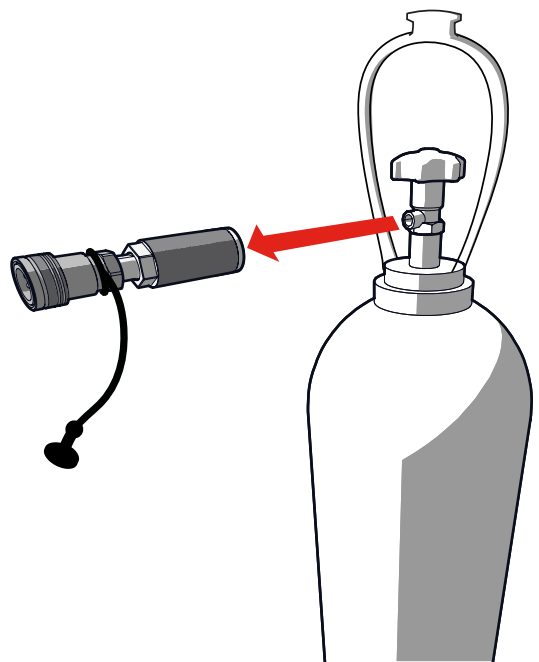
-
- 5** Disconnect the CO2 hose from the CO2 quick connector on the gun.



-
- 6** Disconnect the CO₂ hose from the CO₂ bottle-to-hose connector on the CO₂ cylinder.



-
- 7** Remove the CO₂ bottle-to-hose connector from the cylinder.



-
- 8** Store the gun.
-

4 MAINTENANCE

To achieve the maximum service life of the MAGICFX® CO2GUN II you must regularly clean the MAGICFX® CO2GUN II and test if it is functioning correctly.

Contact MAGIC FX if the MAGICFX® CO2GUN II is not functioning correctly.

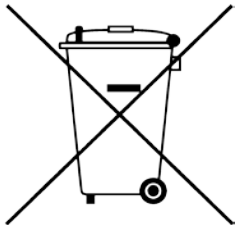
⚠ DANGER

Do not replace parts yourself; always consult MAGIC FX if necessary.

5 TROUBLESHOOTING

Always contact MAGIC FX if any malfunctions or errors occur that cannot be solved with the instructions as described in this manual.

6 CORRECT DISPOSAL



This symbol on the product and / or accompanying documents means that used electrical and electronic products should not be mixed with general household waste. For proper treatment, recovery and recycling, please take this product to designated collection points where it will be accepted free of charge.

Alternatively, in some countries you may be able to return your products to your local retailer upon purchase of an equivalent new product.

Disposing of this product correctly will help save valuable resources and prevent any potential negative effects on human health and the environment, which could otherwise arise from inappropriate waste handling.

Please contact your local authority for further details of your nearest designated collection point.

Penalties may be applicable for incorrect disposal of this waste, in accordance with your national legislation.

7 DECLARATION OF CONFORMITY

MAGIC FX B.V. declares as manufacturer and composer of the technical construction file that the product with the following specifications:

Name machine : CO2GUNII
Type : MFX1119
Serial number : on product
Year of construction : on product

Is in conformity with the minimal safety regulations as stated in the following directive(s):

- PED 2014/68/EU category SEP
(products in this category cannot be provided with a CE-marking)

The following harmonized standards were applied:

- NEN-EN-ISO 12100:2010 Safety of machinery - General principles for design - Risk assessment and risk reduction.

- Original declaration of conformity
 Translation of the original declaration of conformity

Name manufacturer : MAGIC FX BV
Address : Schouwrooij 27, 5281 RE BOXTEL
Country : The Netherlands

CEO : B. Veroude
Date : 6-10-2017

Signature :



MAG:CFX[®]

WWW.MAGICFX.EU

