

/STAGE, STADIUM & X-TREME SHOT.



DISCLAIMER

⚠ WARNING

Read this manual carefully before installing and/or using this product. Failure to read the manual and to follow the printed instructions may lead to personal injury and/or damage to the product.

© 2017 MAGICFX®
All rights reserved.

Nothing from this publication may be copied, reproduced and/or published by means of printing, photocopying or by any other means, without the prior written approval of MAGIC FX.

MAGIC FX reserves the right to modify specifications stated in this manual.

TRADEMARKS

Any brand names mentioned in this manual are registered trademarks of their respective owners.

LIABILITY

MAGIC FX accepts no liability for claims from third parties arising from unauthorised use, use other than that stated in this manual, and use other than in accordance with the General Conditions registered at the Chamber of Commerce.

Refer further to the General Conditions. These are available on request, free of charge.

Although considerable care has been taken to ensure a correct and suitably comprehensive description of all relevant components, the manual may nonetheless contain errors and inaccuracies.

Should you detect any errors or inaccuracies in the manual, we would be grateful if you would inform us. This helps us to further improve our documentation.

TABLE OF CONTENTS

Disclaimer	2
Trademarks	2
Liability	2
Foreword	4
Language	4
Revision table	4
1 Meet the MAGICFX® STAGE SHOT II, STADIUM SHOT II & X-TREME SHOT!	5
1.1 Main parts	5
1.2 MAGICFX® STAGE SHOT II	6
1.3 MAGICFX® STADIUM SHOT II	7
1.4 MAGICFX® X-TREME SHOT	8
2 Shoot safely!	10
2.1 General safety rules	10
2.2 Transport	10
2.3 Compressed air	10
2.4 Rigging	10
2.5 Noise level	11
2.6 Safety symbols	11
2.7 Precautions for operation	11
3 Let's shoot!	12
3.1 Install the machine	12
3.2 Connect power	16
3.3 Run a test	17
3.4 Fill with confetti and/or streamers	18
3.5 Fill with pressurized air	19
3.6 Let's shoot!	20
3.7 Clean up	20
4 Maintenance	23
5 Troubleshooting	23
6 Correct disposal	23
7 EC Declaration of Conformity	24

FOREWORD

Congratulations! You have bought a great new product from MAGIC FX.

This manual contains all information required for the intended use of the equipment. Deviation from the described intended use can result in a hazardous situation and/or property damage.

This manual includes notes and warnings on safe operation of the equipment. These notes and warnings are accompanied by the following icons. Read them attentively!

⚠ DANGER	Indicates a hazardous situation that, if not avoided, will result in death or serious injury. This signal word is to be limited to the most extreme situations.
⚠ WARNING	Indicates a hazardous situation that, if not avoided, could result in death or serious injury.
⚠ CAUTION	Indicates a hazardous situation that, if not avoided, could result in minor or moderate injury.
NOTICE	Indicates information considered important, but not hazard-related (e.g. messages relating to property damage).

LANGUAGE

This document contains the original instructions in English. In case you require other languages please contact MAGIX FX.

REVISION TABLE

Document nr	Revision	Date	Description	Authored by	Checked by
PART01339	01-00	29-08-2017	Initial release	TFR	TVA

1 MEET THE MAGICFX® STAGE SHOT II, STADIUM SHOT II & X-TREME SHOT!

The MAGICFX® STAGE SHOT II is a special effects machine that shoots confetti loads up to 1 kg 10 meters far* and 12 polybags of streamers 20 meters far*. The MAGICFX® STAGE SHOT II is equipped with a 17,7 liter air pressure tank and is intended for outdoor use.

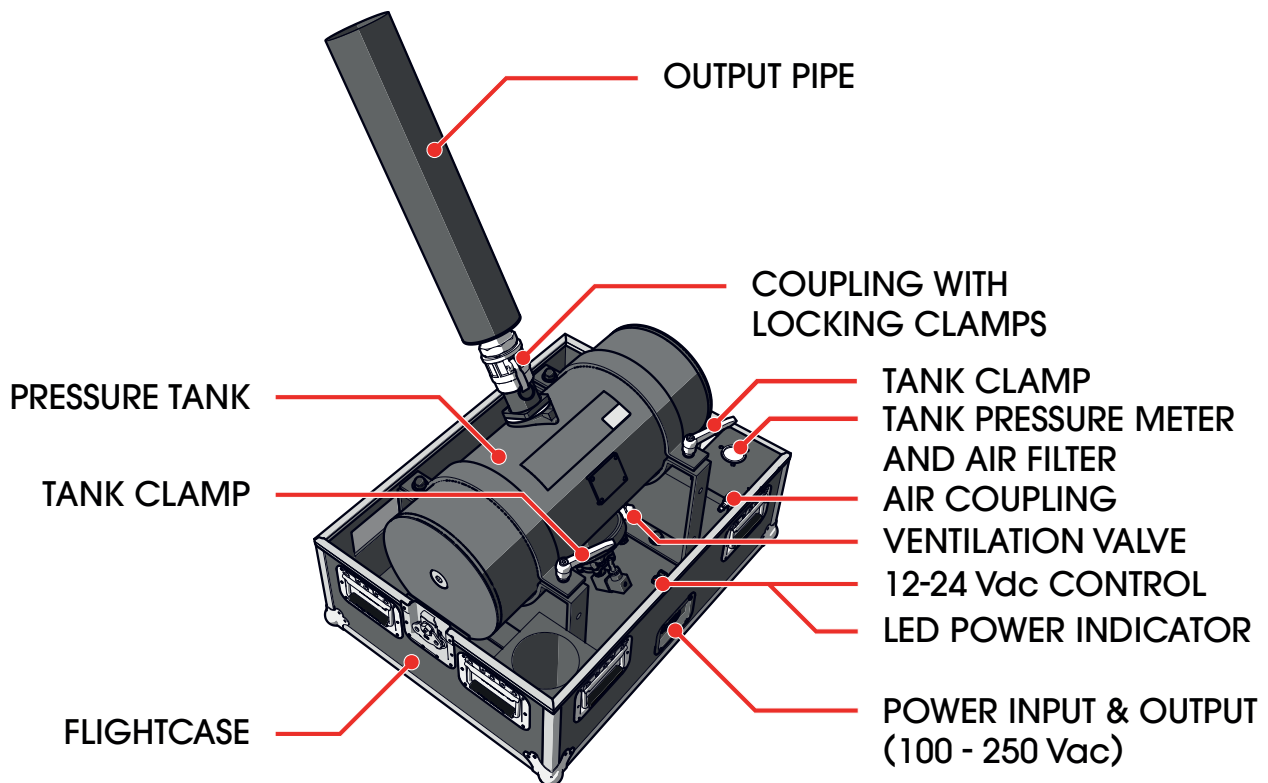
The MAGICFX® STADIUM SHOT II is a special effects machine that shoots confetti loads up to 4 kg 20 meters far* and 8-25 polybags of streamers 25-40 meters far*. The MAGICFX® STADIUM SHOT II is equipped with a 36 liter air pressure tank and is intended for outdoor use.

The MAGICFX® X-TREME SHOT is a special effects machine that shoots confetti loads up to 8 kg 30 meters far* and 15-25 polybags of streamers 25-40 meters far*. The MAGICFX® X-TREME SHOT is equipped with a 68 liter air pressure tank and is intended for outdoor use.

In this manual the MAGICFX® STAGE SHOT II, STADIUM SHOT II & X-TREME SHOT are all referred to as 'the machine'.

* The output distance depends on input material and load.

1.1 MAIN PARTS



Main parts

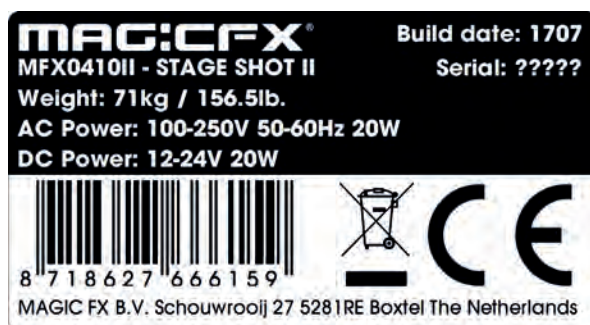
1.2 MAGICFX® STAGE SHOT II

TECHNICAL DATA

Product	Product Name	MAGICFX® STAGE SHOT II	
	Product Code	MFX0410II	
	Product Type	CONFETTI & STREAMER FX	
Main Dimensions	Length (mm/in)	590	23,2
	Width (mm/in)	450	17,7
	Height (mm/in)	750	29,5
Weight	Empty weight (kg/lb)	71	156,5
Environment	Minimum Temperature (°C/°F)	-10	14
	Maximum Temperature (°C/°F)	70	158
	Humidity (Relative)	20% to 90% (non condensing)	
Electrical	Voltage Input (Vac)	100 - 250 Vac	
	Voltage Frequency	50 - 60 Hz	
	Power Consumption (Vac)	20 W	
	Power Connector (Vac)	Neutrik® powerCON TRUE1 (in & out)	
	Voltage Input (Vdc)	12 - 24 Vdc	
	Power Connector (Vdc)	Banana Plug & Wire	
Pressure Tank	Maximum Pressure (Bar/Psi)	8	116
	Volume (L)	17,7	
Usage	Consumable(s)	Confetti & Streamers	

Technical data of the MAGICFX® STAGE SHOT II

PRODUCT IDENTIFICATION



Type plate of the MAGICFX® STAGE SHOT II

ACCESSORIES

Code	Product
MFX0404	Compression caps tape 50m X 50mm
MFX0415	Cover for the MAGICFX® STAGE SHOT II
MFX0413	25 caps + 25 cores for the MAGICFX® STAGE SHOT II
MFX0406II	Flexible air hose 5m II
MFX0405	Air Compressor 8L / 8Bar

Accessories of the MAGICFX® STAGE SHOT II

INPUT & OUTPUT

The output pipe has a capacity of 15 liters and can be filled with confetti or streamers. The maximum load per blast depends on the type of input material. The output distance depends on the type of input material and the load. The output has a maximum distance of 25 m.

NOTICE

Wind and other weather circumstances will influence the output distance. The given values are estimated values.

1.3 MAGICFX® STADIUM SHOT II

TECHNICAL DATA

Product	Product Name	MAGICFX® STADIUM SHOT II	
	Product Code	MFX0401II	
	Product Type	CONFETTI & STREAMER FX	
Main Dimensions	Length (mm/in)	800	31,5
	Width (mm/in)	600	23,6
	Height (mm/in)	750	29,5
Weight	Empty weight (kg/lb)	108	238,1
Environment	Minimum Temperature (°C/°F)	-10	14
	Maximum Temperature (°C/°F)	70	158
	Humidity (Relative)	20% to 90% (non condensing)	
Electrical	Voltage Input (Vac)	100 - 250 Vac	
	Voltage Frequency	50 - 60 Hz	
	Power Consumption (Vac)	20 W	
	Power Connector (Vac)	Neutrik® powerCON TRUE1 (in & out)	
	Voltage Input (Vdc)	12 - 24 Vdc	
	Power Connector (Vdc)	Banana Plug & Wire	
Pressure Tank	Maximum Pressure (Bar/Psi)	8	116
	Volume (L)	36	
Usage	Consumable(s)	Confetti & Streamers	

Technical data of the MAGICFX® STADIUM SHOT II

PRODUCT IDENTIFICATION



Type plate of the MAGICFX® STADIUM SHOT II

ACCESSORIES

Code	Product
MFX0404	Compression caps tape 50m X 50mm
MFX0416	Cover for the MAGICFX® STADIUM SHOT II
MFX0407	25 caps + 25 cores for the MAGICFX® STADIUM SHOT II
MFX0406II	Flexible air hose 5m II
MFX0405	Air Compressor 8L / 8Bar

Accessories of the MAGICFX® STADIUM SHOT II

INPUT & OUTPUT

The output distance depends on the type of input material. The maximum load per blast also depends on the type of input material. Check the following table.

Input	Max. load per shot	Output distance
Confetti	2 - 3 kg	20 m
Streamers 10 m x 1,5 cm	25 polybags	35 m
Streamers 10 m x 5,0 cm	12 polybags	35 m
Stadium Streamers 20 m x 5,0 cm	8 polybags	40 m

Input types and related loads and output distance of the MAGICFX® STADIUM SHOT II

NOTICE

Wind and other weather circumstances will influence the output distance. The given values are estimated values.

1.4 MAGICFX® X-TREME SHOT

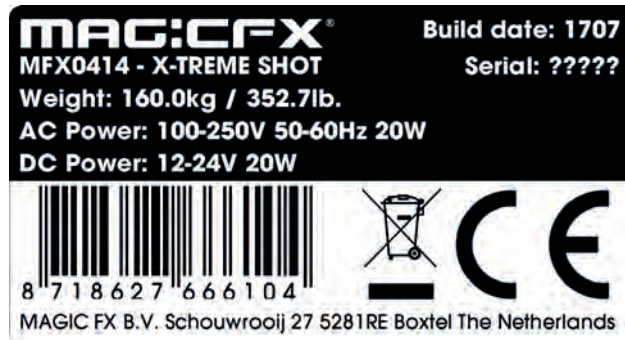
TECHNICAL DATA

Product	Product Name	MAGICFX® X-TREME SHOT	
	Product Code	MFX0414	
	Product Type	CONFETTI & STREAMER FX	
Main Dimensions	Length (mm/in)	970	38,2
	Width (mm/in)	700	27,6
	Height (mm/in)	1040	40,9
Weight	Empty weight (kg/lb)	157	346,1
Environment	Minimum Temperature (°C/°F)	-10	14
	Maximum Temperature (°C/°F)	70	158
	Humidity (Relative)	20% to 90% (non condensing)	
Electrical	Voltage Input (Vac)	100 - 250 Vac	
	Voltage Frequency	50 - 60 Hz	
	Power Consumption (Vac)	20 W	
	Power Connector (Vac)	Neutrik® powerCON TRUE1 (in & out)	
	Voltage Input (Vdc)	12 - 24 Vdc	
	Power Connector (Vdc)	Banana Plug & Wire	

Pressure Tank	Maximum Pressure (Bar/Psi)	8	116
	Volume (L)	68	
Usage	Consumable(s)	Confetti & Streamers	

Technical data of the MAGICFX® X-TREME SHOT

PRODUCT IDENTIFICATION



Type plate of the MAGICFX® X-TREME SHOT

ACCESSORIES

Code	Product
MFX0404	Compression caps tape 50m X 50mm
MFX0417	Cover for the MAGICFX® X-TREME SHOT
MFX0411	25 caps + 25 cores for the MAGICFX® X-TREME SHOT
MFX0406II	Flexible air hose 5m II
MFX0405	Air Compressor 8L / 8Bar

Accessories of the MAGICFX® EXTREME SHOT

INPUT & OUTPUT

The output distance depends on the type of input material. The maximum load per blast also depends on the type of input material. Check the following table.

Input	Max. load per shot	Output distance
Confetti	4 - 6 kg	20 m
Streamers 10 m x 5,0 cm	25 polybags	35 m
Streamers 20 m x 2,5 cm	30 polybags	35 m
Stadium Streamers 20 m x 5,0 cm	15 polybags	50 m

Input types and related loads and output distance of the MAGICFX® EXTREME SHOT

NOTICE

Wind and other weather circumstances will influence the output distance. The given values are estimated values.

2 SHOOT SAFELY!

The machine has been designed and constructed in such a manner that they can be used safely. This applies to the use, the circumstances and the regulations as described in this documentation. Reading this documentation and following the instructions are therefore necessary for everyone who is authorised to work with the machine.

The machine must be placed and used in surroundings that preferably:

- Have a reasonably stable temperature of between -10 and 70°C.
- Have a relative humidity degree of no more than 75%.
- Are reasonably free of dust, corrosive gases and high concentrations of organic vapours.
- Are not situated in the vicinity of a source of vibration.

2.1 GENERAL SAFETY RULES

- Only authorised persons may carry out work with the machine
- Do not use the machine if there are people or animals within the direct output.
- Make sure that children, unauthorised people and animals do not obtain access to the machine.
- Make sure there are no freestanding objects or objects that can be damaged by the machine within the output distance.
- Do not connect more units to a single electrical circuit than the installed fuse is able to handle. (Calculate the summed load with the electrical data from Chapter 1)
- Do not take hold of the machine while it is working or switched on.
- Do not remove any safeguards, safety caps and safety symbols.
- All required safety devices must be in good condition and function properly.
- Ensure sufficient lighting of the surroundings.
- Keep the workplace clean.

2.2 TRANSPORT

- Check the pressure level on the tank pressure meter before every transport. If necessary depressurize the system by opening the ventilation valve.
- Never transport the machine with the system pressurized!

2.3 COMPRESSED AIR

- Always use an inspected and certified professional compressor with an air output of maximum 8 bar to fill the tank. Carefully read the manual of the compressor before use.
- Never leave the tank pressurized for more than 15 minutes.
- The machine is equipped with a pressure relief valve that automatically depressurizes the system when the maximum allowed pressure of 8 bar is exceeded. Nevertheless regularly check the tank pressure meter to make sure the pressure in the tank is stable and does not exceed 8 bar. If necessary depressurize the system by opening the ventilation valve.

2.4 RIGGING



Please follow the European and national guidelines for safe rigging and trussing.

2.5 NOISE LEVEL

The environmental noise level as measured at the ear is greater than 70 dB(A). This level of noise is only reached during the short instances that the output is active. Always wear hearing protection when you are within 5 meters of the machine during operation.





2.6 SAFETY SYMBOLS

The following safety symbols are present on the machine.

Symbol	Meaning
	Read the manual carefully before use!
	Wear certified ear protection!

Safety symbols

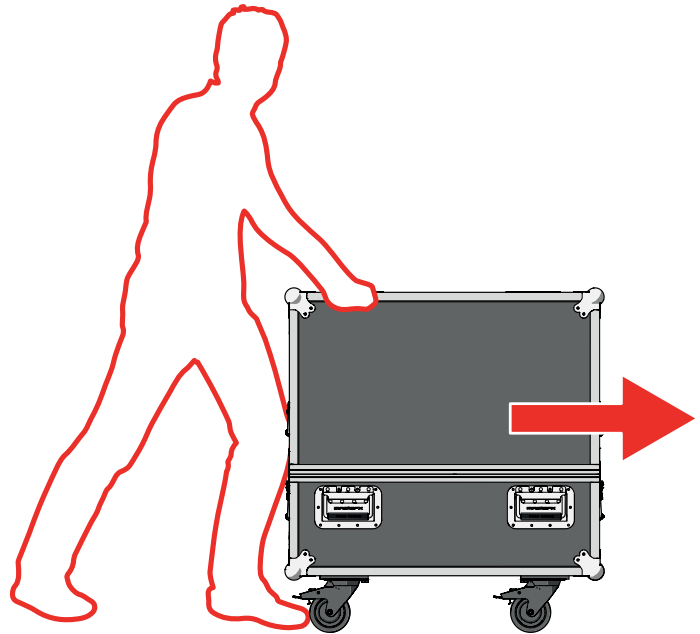
2.7 PRECAUTIONS FOR OPERATION

 WARNING	Using a damaged or an improper installed machine can lead to death, serious injury or property damage. Always inspect the machine thoroughly before operation.
 WARNING	Unauthorized operation of the machine can lead to death, serious injury or property damage. Never leave the machine and the power switch unattended when the machine is ready for use.
 WARNING	Missing or obscured safety symbols on the machine can lead to death, serious injury or property damage. Make sure all safety symbols are correctly in place and visible, see Section 2.6.
 CAUTION	Always install the output pipe before operating the machine.

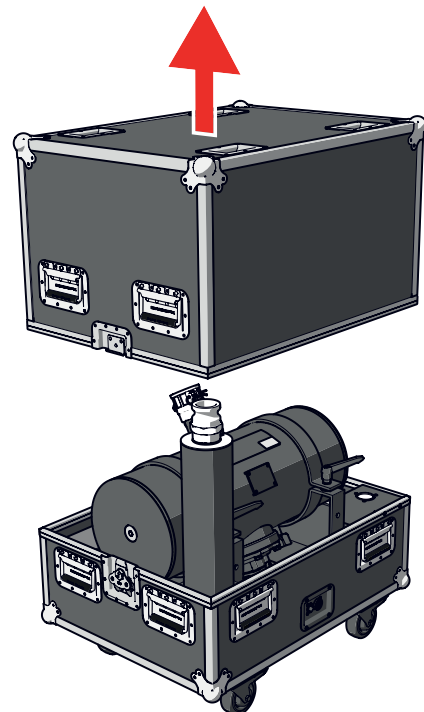
3 LET'S SHOOT!

3.1 INSTALL THE MACHINE

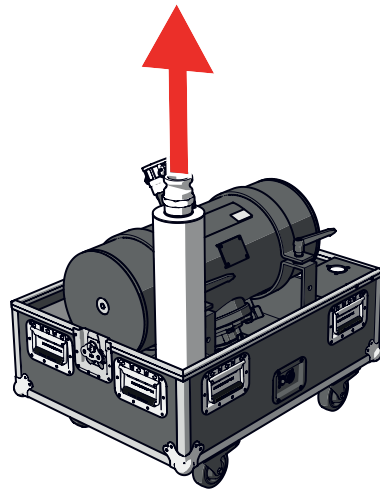
- 1 Bring the cased machine to the desired location.



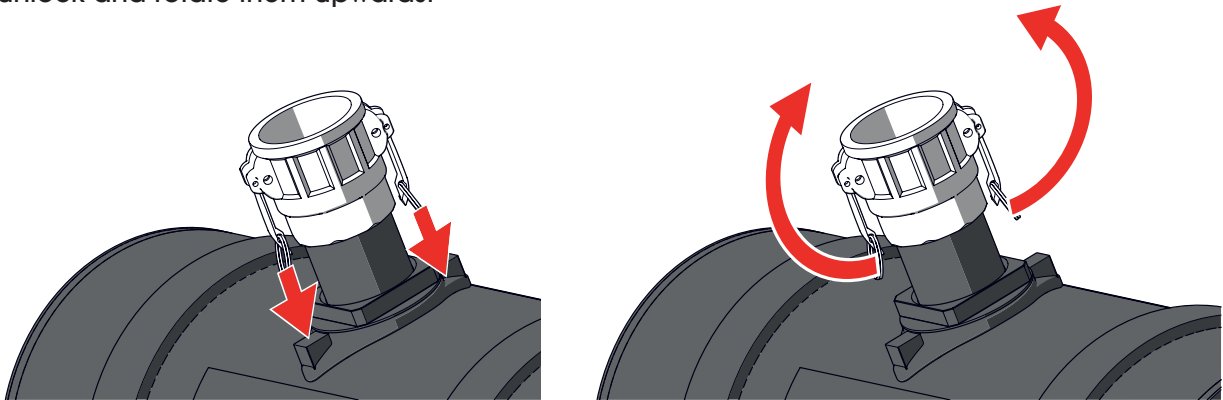
- 2 Unlock and remove the top cover.



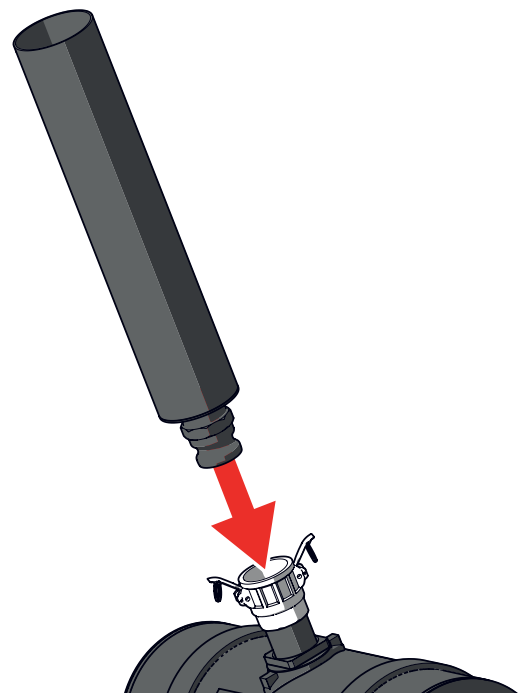
-
- 3** Remove the output pipe.



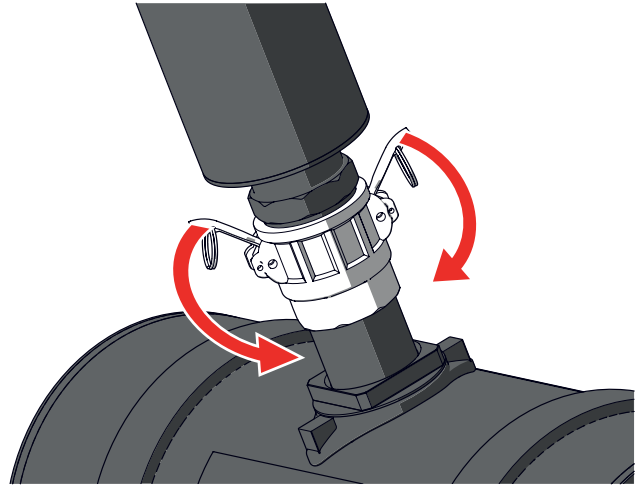
-
- 4** Pull the locking clamps downwards to unlock and rotate them upwards.



-
- 5** Place the output pipe in the coupling while holding the locking clamps upwards.



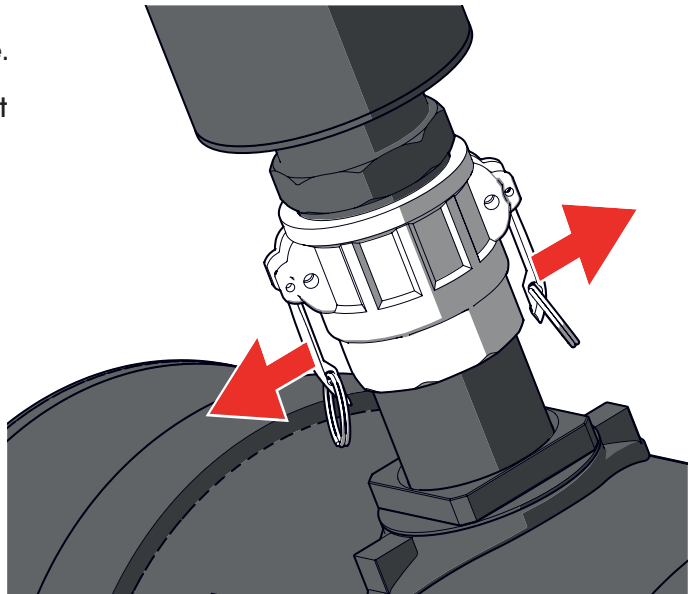
-
- 6** Lock the output pipe in place with the locking clamps.



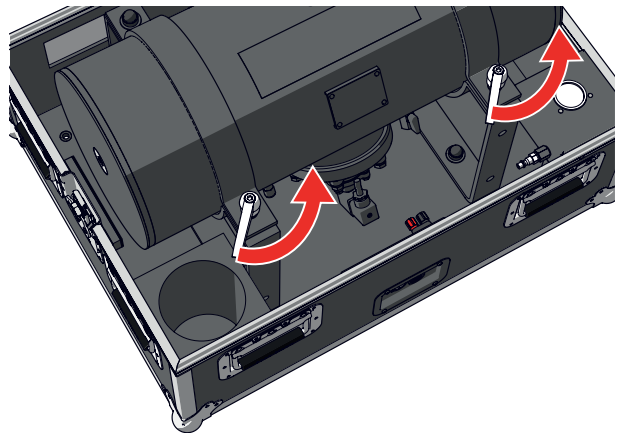
-
- 7** Pull the clamps outwards to check if the locking pins are properly locked in place.

If not: remove the output pipe and repeat step 5 and 6.

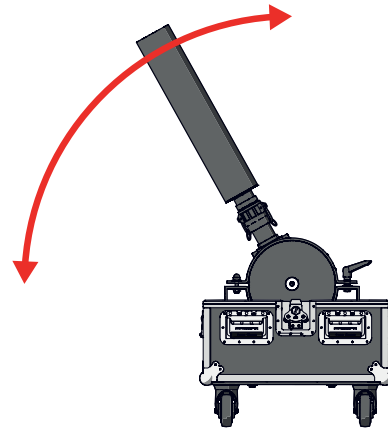
Never use the machine when the clamps are not working properly.



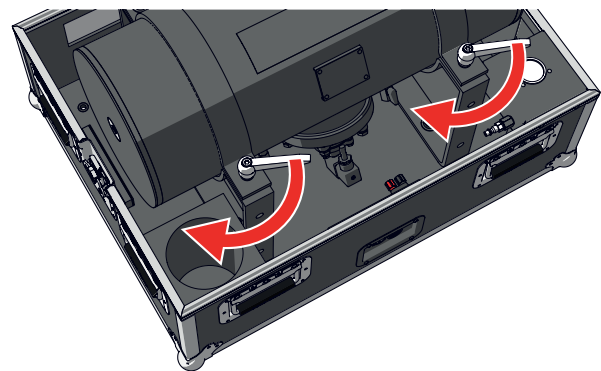
-
- 8** Turn the tank clamps counterclockwise.



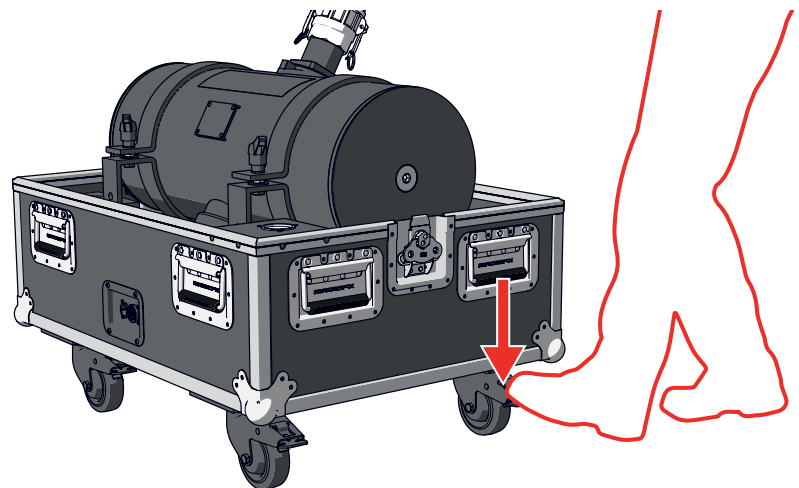
-
- 9** Set the tank with attached output pipe in an angle between 0 and 90 degrees.



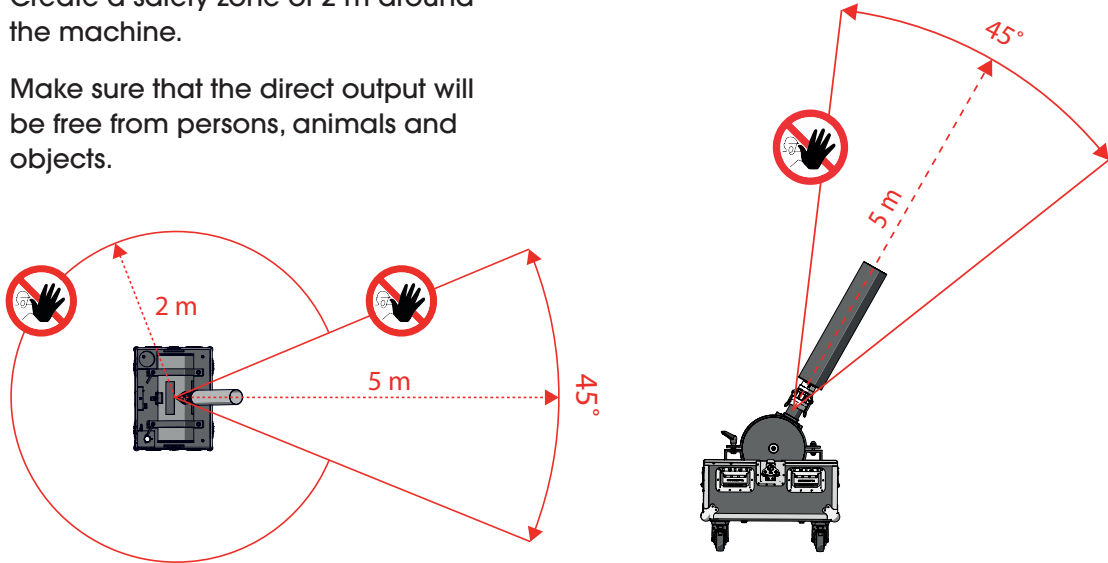
-
- 10** Turn the tank clamps clockwise to firmly secure the tank in position.



-
- 11** Place the machine in its final position and set the brakes.



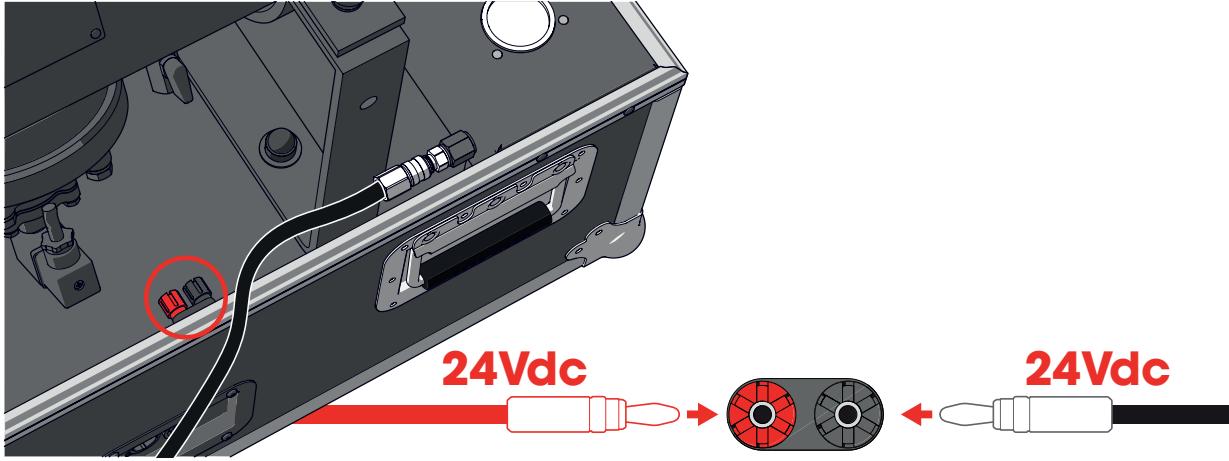
-
- 12** 1. Create a safety zone of 2 m around the machine.
2. Make sure that the direct output will be free from persons, animals and objects.



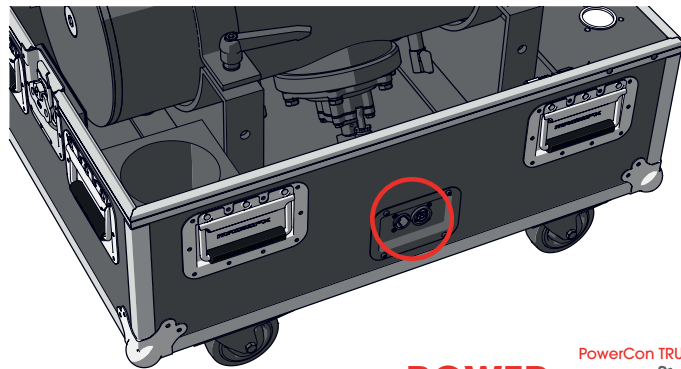
3.2 CONNECT POWER

- 1** Make sure that the power output on your controller or power switch is disabled.
-
- 2** Connect power cable(s) to the 12-24 Vdc input or the 100-250 Vac input.
-

12-24 Vdc

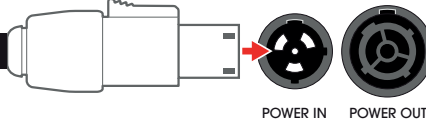


100-250 Vac



POWER

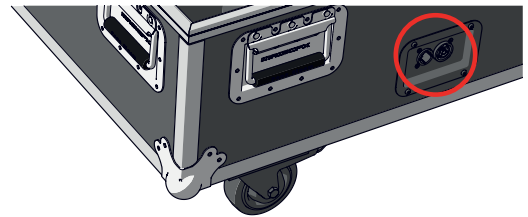
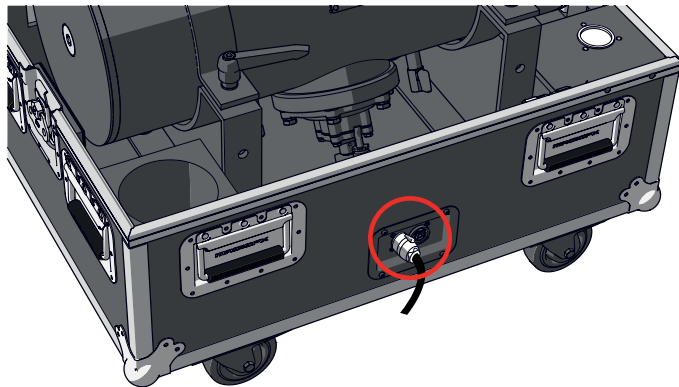
PowerCon TRUE1 female



POWER IN POWER OUT

3 Connect the other end(s) to your controller or power switch.

4 Optionally connect another machine to the power output with a power link cable (100-250 Vac only).



PowerCon TRUE1 male

POWER

PowerCon TRUE1 female

POWER IN

POWER OUT

POWER IN

POWER OUT

⚠ CAUTION

Do not connect more units to a single electrical circuit than the installed fuse is able to handle. (Calculate the summed load with the electrical data from Chapter 1)

3.3 RUN A TEST

1 Make sure that the pressure level is zero by checking the tank pressure meter. If necessary depressurize the system by opening the ventilation valve.

-
- 2 Switch the power on and check if
 1. the LED power indicator lights up;
 2. you hear a click sound.
-

- 3 If desired run a test with pressure. Follow the step from Section 3.5 and 3.6.
-

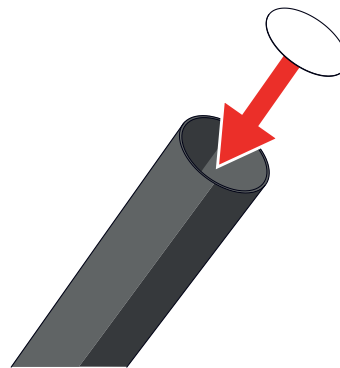
3.4 FILL WITH CONFETTI AND/OR STREAMERS

- 1 Make sure that the machine is functioning correctly by running a test first, see Section 3.3..
-

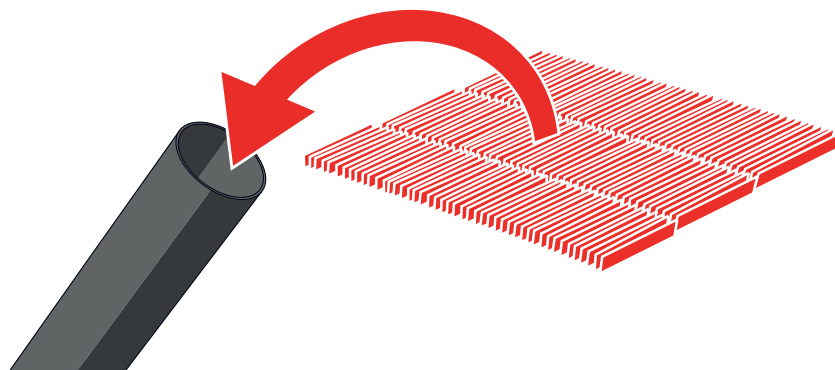
- 2 Make sure that the pressure level is zero by checking the tank pressure meter. If necessary depressurize the system by opening the ventilation valve.
-

- 3 Place a lifting core in the bottom of the output pipe.

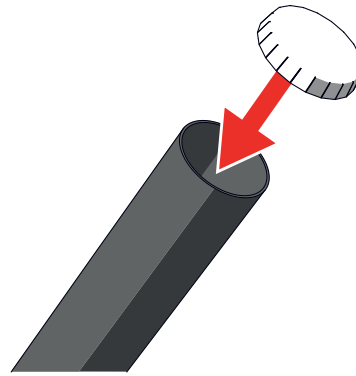
Make sure the lifting core lies flat and closes off the hole in the output pipe!



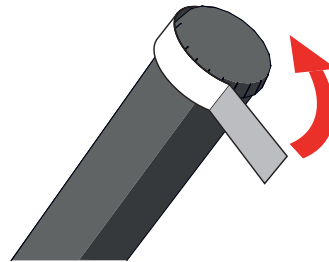
- 4 Fill the output pipe with confetti and/or streamers. Check Chapter 1 for the maximum amount per approved type of input.



-
- 5** Place a pressure cap on top of the output pipe.



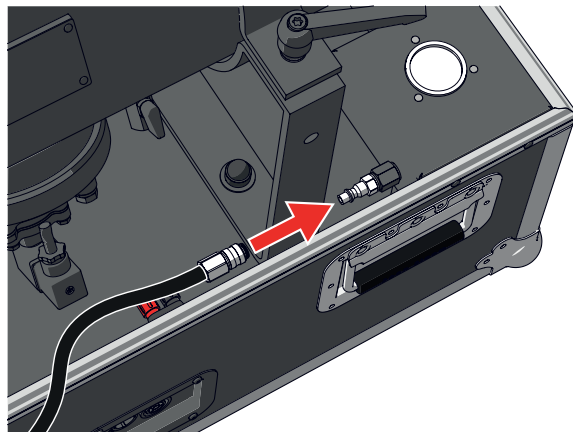
-
- 6** Secure the pressure cap to the output pipe with special pressure cap tape.



3.5 FILL WITH PRESSURIZED AIR

- 1** Connect the hose from an air compressor to the air coupling.

Only use a compressor with a maximum output of 8 bar. The end of the hose must be fitted with a quick-connect coupling.



-
- 2** Switch on the air compressor and fill the tank to a maximum pressure of 8 bar.

-
- 3** In case you do not want the compressor to refill the tank after the shot: Switch off the compressor and disconnect the hose.
-

3.6 LET'S SHOOT!

1. Make sure that the prescribed safety zone is free from persons and objects.
2. When it's time to shoot, switch the power on.
3. Enjoy the view!

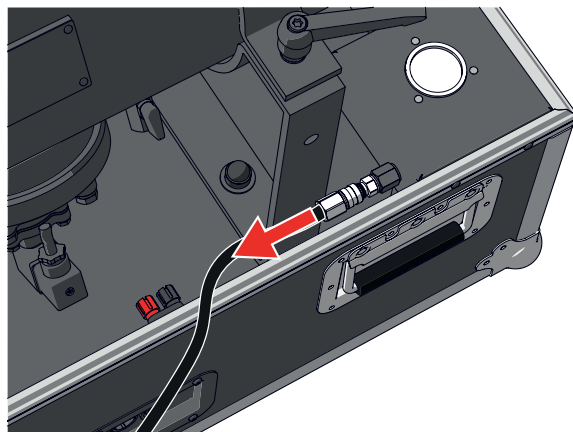


-
4. Switch the power off.

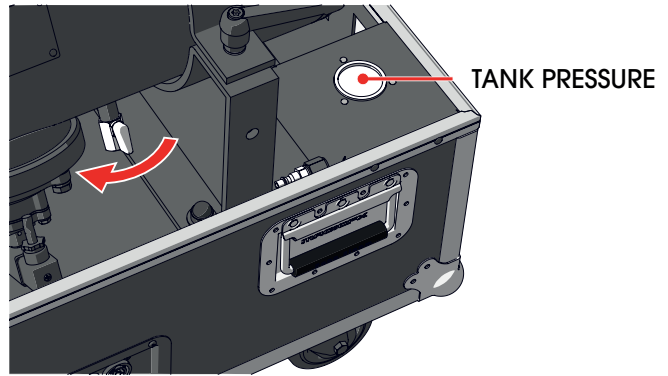
3.7 CLEAN UP

-
- 1 Disconnect the power cable(s).

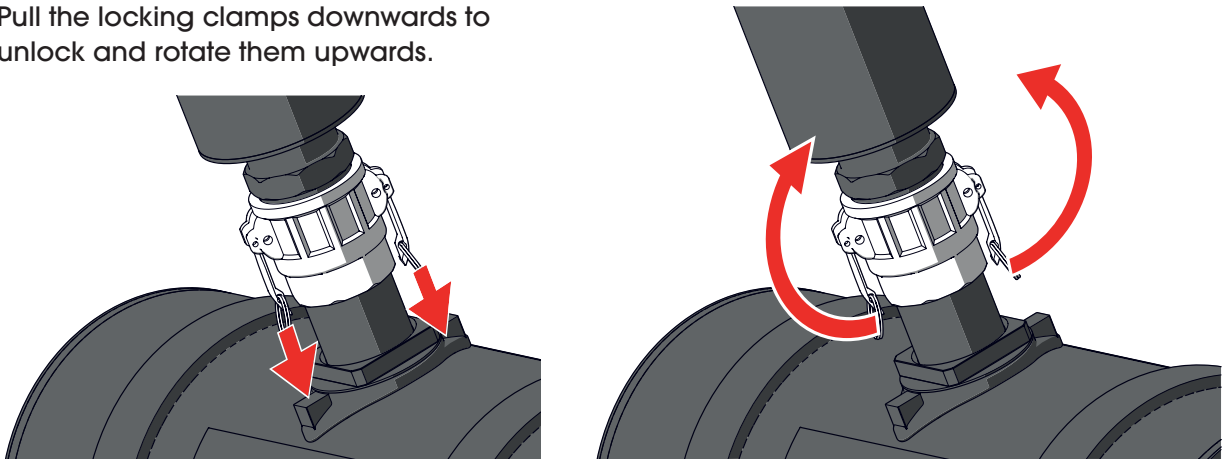
-
- 2 Disconnect the compressor hose from the air coupling (if not done already).



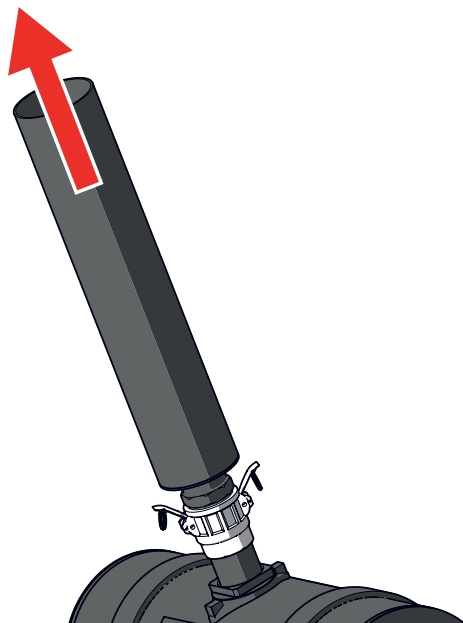
-
- 3** Open the ventilation valve to remove any remaining air from the tank.



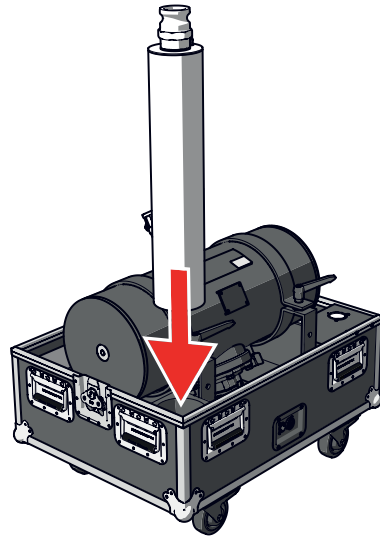
-
- 4** Pull the locking clamps downwards to unlock and rotate them upwards.



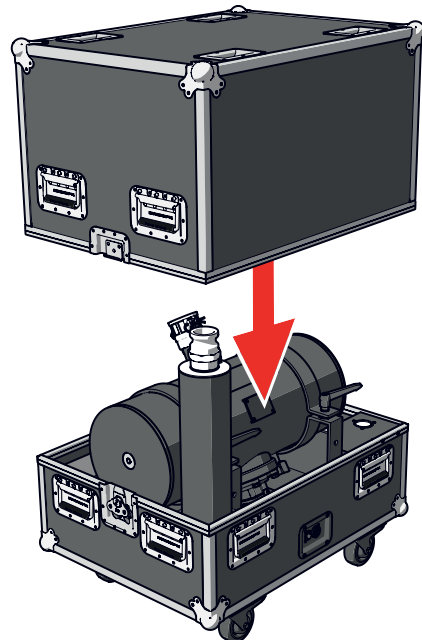
-
- 5** Remove the output pipe from the coupling.



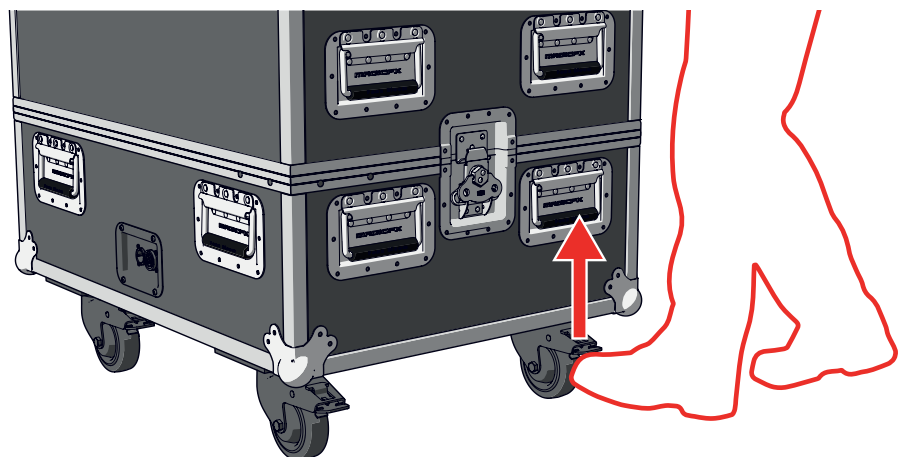
6 Store the output pipe in the flight case



7 Place and lock the top cover.



8 Release the brakes.



4 MAINTENANCE

To achieve the maximum service life of the machine you must regularly clean the machine and test if it is functioning correctly.

Contact MAGIC FX if the machine is not functioning correctly.

⚠ DANGER

Do not replace parts yourself; always consult MAGIC FX.

5 TROUBLESHOOTING

Always contact MAGIC FX if any malfunctions or errors occur that cannot be solved with the instructions as described in this manual.

6 CORRECT DISPOSAL



This symbol on the product and / or accompanying documents means that used electrical and electronic products (WEEE) should not be mixed with general household waste. For proper treatment, recovery and recycling, please take this product to designated collection points where it will be accepted free of charge.

Alternatively, in some countries you may be able to return your products to your local retailer upon purchase of an equivalent new product.

Disposing of this product correctly will help save valuable resources and prevent any potential negative effects on human health and the environment, which could otherwise arise from inappropriate waste handling.

Please contact your local authority for further details of your nearest designated collection point.

Penalties may be applicable for incorrect disposal of this waste, in accordance with your national legislation.

7 EC DECLARATION OF CONFORMITY

According to Annex III A Low Voltage Directive 2014/35/EU + Machinery Directive 2006/42/EC

MAGIC FX B.V. declares as manufacturer and composer of the technical construction file that the product with the following specifications:

Name machine	: STAGE SHOT II / STADIUM SHOT II / X-TREME SHOT
Type	: MFX0410II / MFX0401II / MFX0414
Voltage	: 100-250Vac/12-24Vdc
Max. Working Pressure	: 8 bar / 116 psi
Volume	: 17,7L / 36L / 68L
Serial number	: on product
Year of construction	: on product

Is in conformity with the minimal safety regulations as stated in the following directive(s):

- EMC (2014/30/EC) ElectroMagnetic Compatibility
- RoHS (2011/65/EU) Restriction of the use of certain Hazardous Substances
- WEEE (2012/19/EU) Waste Electrical & Electronic Equipment
- PED (2014/68/EU) Pressure Equipment

The following harmonized standards were applied:

- NEN-EN-ISO 12100:2010, Safety of machinery - General principles for design - Risk assessment and risk reduction.
- NEN-EN-IEC 60204:2010, Safety of machinery - Electrical equipment of machines - Part 1: General requirements.
- NEN-EN-IEC 61000-6-3:2007/A1:2011, Electromagnetic compatibility (EMC) - Part 6-3: Generic standards - Emission standard for residential, commercial and light-industrial environments.
- NEN-EN 13445-1:2016, Unfired pressure vessels.

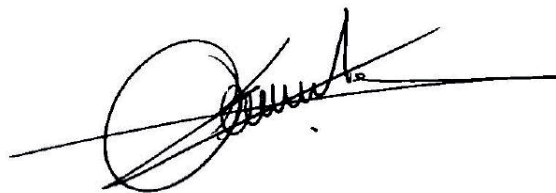
Original declaration of conformity

Translation of the original declaration of conformity

Name manufacturer	: MAGIC FX BV
Address	: Schouwrooij 27, 5281 RE BOXTEL
Country	: The Netherlands

CEO	: B. Veroude
Date	: 6-10-2017

Signature :



MAG:CFX[®]

WWW.MAGICFX.EU

